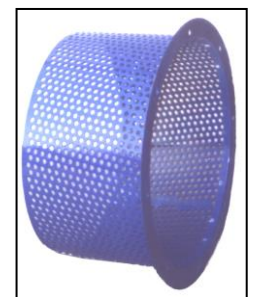
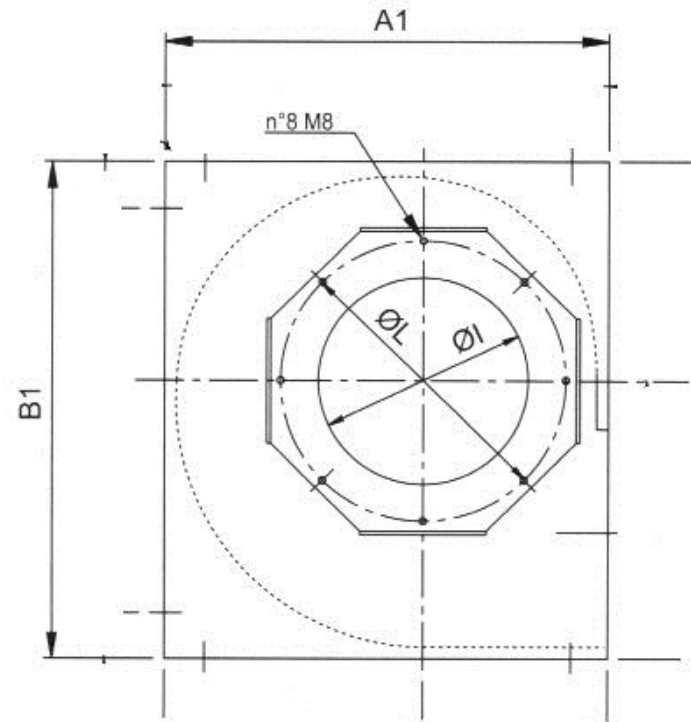
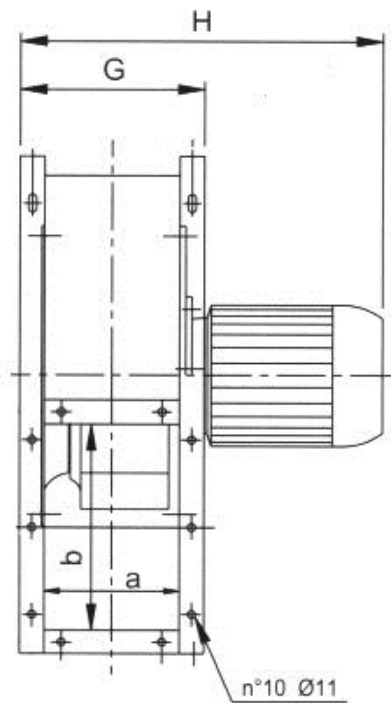


## ***ASPIRATOR - REFINER***



Spare net

Refiner to do manually or automatically the simultaneous action of suction, purification and transport of wood shavings through a fixed cylindrical punched surface, interchangeable hammers, oscillating and rotating, ventilation unit interesting the field of the discharge of wood rejects.



MODEL	HP	Turns	Capacity m <sup>3</sup> /h	Production Kg/h	Weight Kg	dB(A)	I mm	L mm	a mm	b mm	G mm	H mm	A1 mm	B1 mm
RAF30	3	2850	2000	130	80	79	288	322	198	252	255	490	606	685
RAF55	5.5	2890	3500	175	92	82	288	322	198	252	255	514	606	685
RAF75	7.5	2920	4500	225	100	85	322	356	223	284	289	564	676	766
RAF100	10	2950	5500	300	110	86	322	356	223	284	289	568	676	766

N.B. – For production we mean the medium production per hour with Ø 10 grid

By demand we supply some particular models, with perforated interchangeable grill in several diameters, according to the material to be refined.

Our technical office is at your complete disposal for special models, suitable to your requirements.