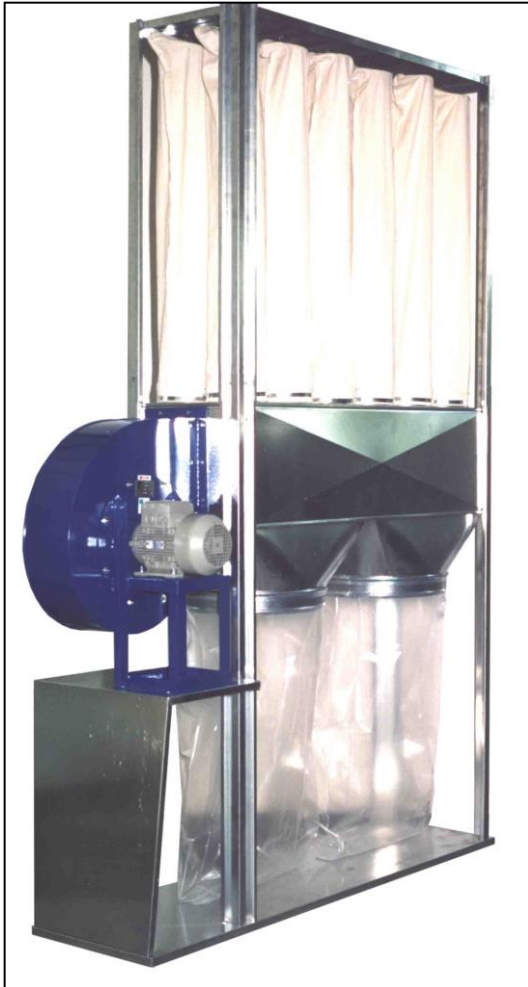


FILTER MOD. GA



Handled filter employed for suction and filtration of wood shavings and dust.

Entirely constructed in zincated sheet pressure folded. Plenum air entry constructed in a single piece, higher and lower legs dismountable to make the transport easier.

Complete with an electrical vane aspirator, sleeves Ø 200 h 1600 mm in fabric of genuine cotton 350 gr/m² with Snap Ring, collecting bag in nylon Ø 500.

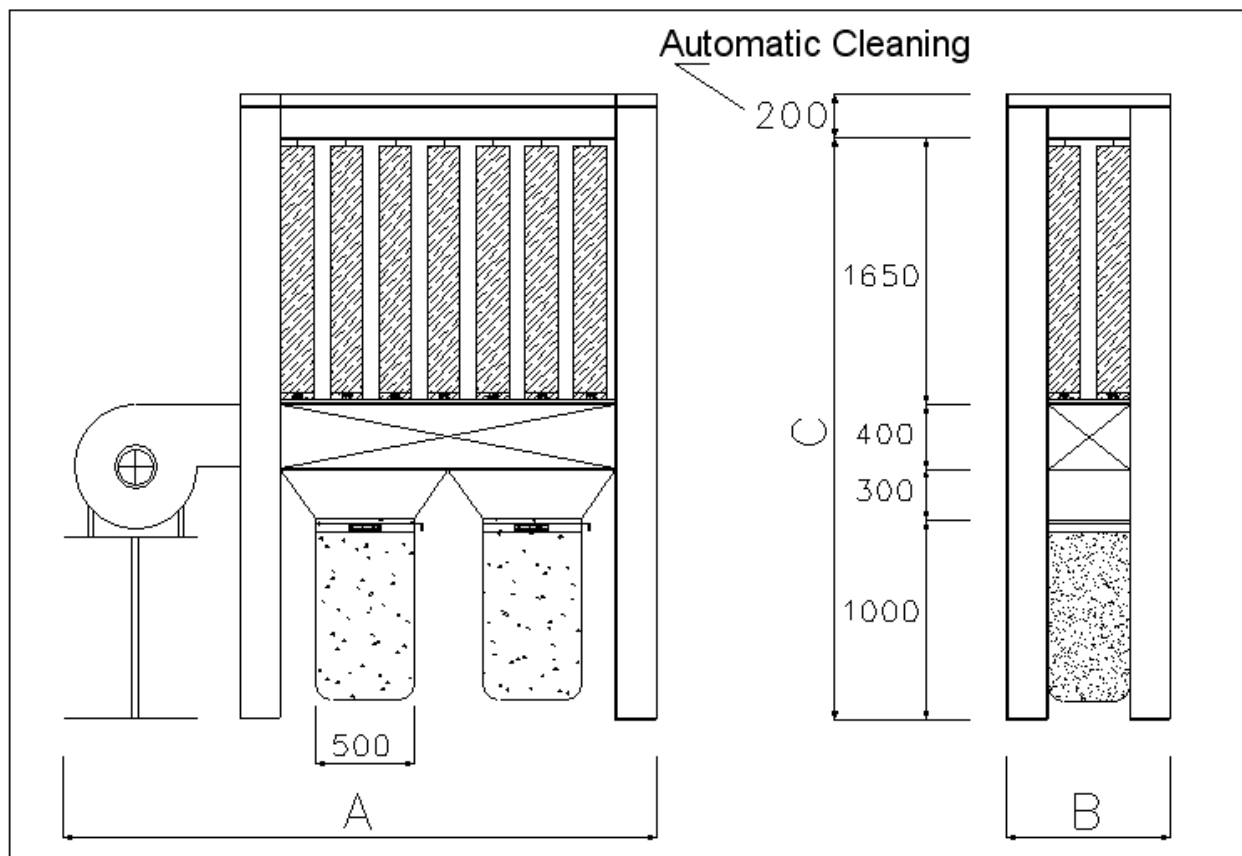
Available in many versions and powers, open with handled filters at sight or careened in the higher side with zincated panels and entry door to the filtering zone.

The air, after crossing a central plenum, goes out from the wood waste through the handled filters.

The waste falls down into the collecting bags for gravity.

Cleaning system of the sleeves with electrical vibrator available by request in the careened or open version.

Completely dismountable to make te transport easier.



MODEL	A mm	B mm	C mm	ASP. HP	Ø ASP. mm	CAPACITY m ³ /h	SUP. FILT. m ²	N° SLEEVES Ø 200 mm	N° COLL. BAGS
GA 6/2	1300	600	3350	2	200	1900	6,0	6	1
GA 6/3	1300	600	3350	3	220	3000	6,0	6	1
GA 12D/3	2100	600	3350	3	220	3000	12,1	12	2
GA 12D/4	2150	600	3350	4	250	3600	12,1	12	2
GA 18T/3	2900	600	3350	3	220	3000	18,1	18	3
GA 18T/4	2950	600	3350	4	250	3600	18,1	18	3
GA 18T/55	2950	600	3350	5,5	250	4200	18,1	18	3
GA 24Q/4	3750	600	3350	4	250	3600	24,1	24	4
GA 24Q/55	3750	600	3350	5,5	250	4200	24,1	24	4

In case of automatic cleaning, 200 mm in height have to be added